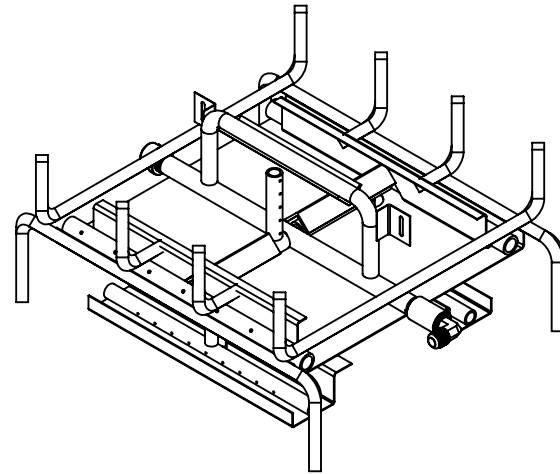
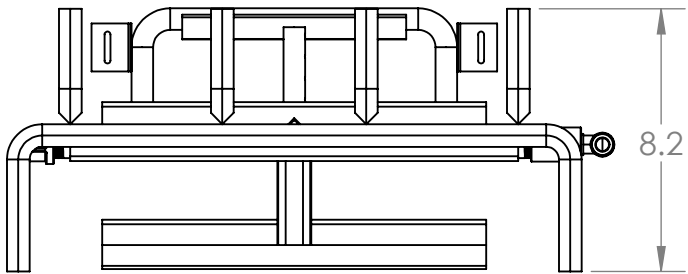
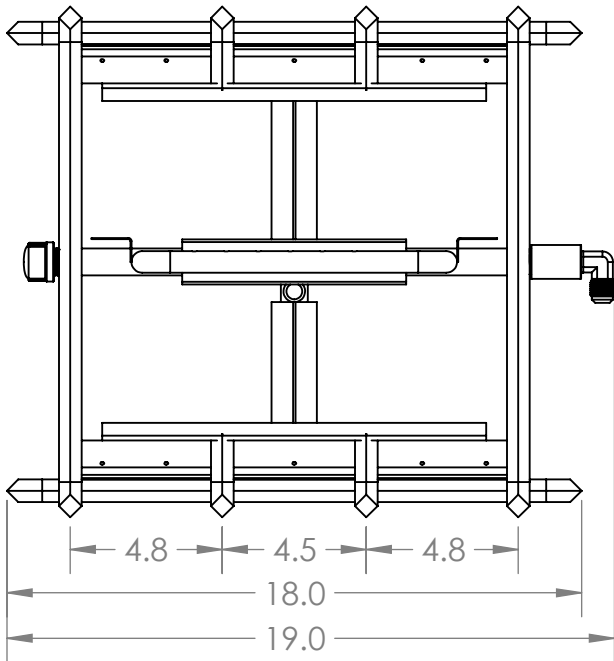


2

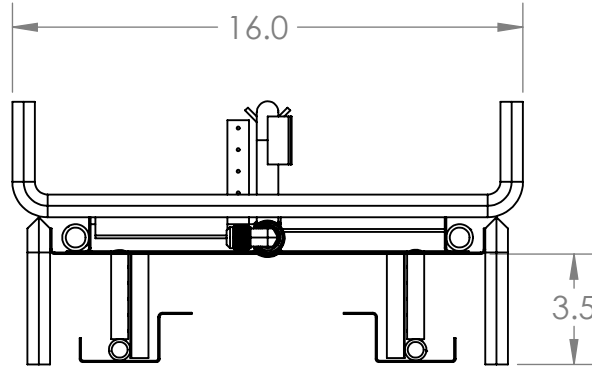
1

| REVISIONS | | | |
|-----------|-------------------------|----------|----------|
| REV. | DESCRIPTION | DATE | APPROVED |
| A | RELEASED FOR PRODUCTION | 8/2/2022 | |

B



B



A

BRANDED: GRAND CANYON GAS LOGS
MODEL #: 3BRN-ST18



UNLESS OTHERWISE SPECIFIED:

DIMENSIONS ARE IN INCHES
TOLERANCES:
BEND +2/-0
ONE PLACE DECIMAL ±.125
TWO PLACE DECIMAL ±.0625

INTERPRET GEOMETRIC TOLERANCING PER:

MATERIAL

FINISH SEE NOTE

DO NOT SCALE DRAWING

NAME DATE

DRAWN RG 8/2/22

CHECKED DF 8/10/22

ENG APPR.

MFG APPR.

Q.A.

PROPRIETARY AND CONFIDENTIAL
THE INFORMATION CONTAINED IN THIS DRAWING IS THE SOLE PROPERTY OF RICHARDSON'S PRODUCT GROUP. ANY REPRODUCTION IN PART OR AS A WHOLE WITHOUT THE WRITTEN PERMISSION OF RICHARDSON'S PRODUCT GROUP IS PROHIBITED.

RPG BRANDS

TITLE:

3BRN-ST18

SIZE DWG. NO. REV

A 02-00666 **A**

SCALE: 1:6 WEIGHT: SHEET 1 OF 1

2

1

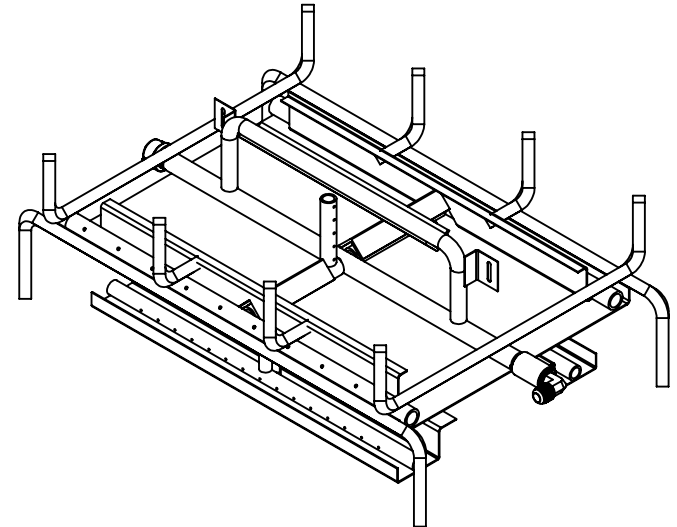
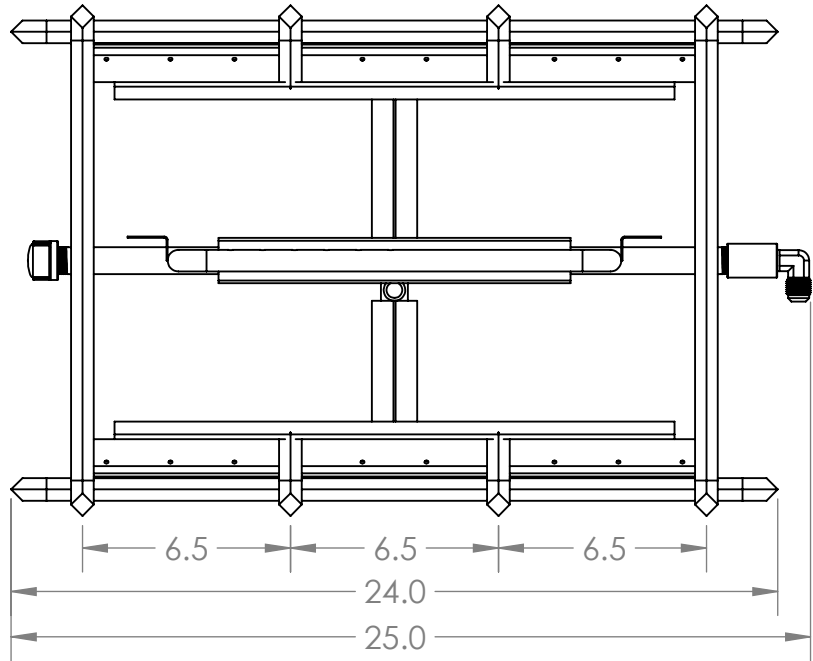
A

2

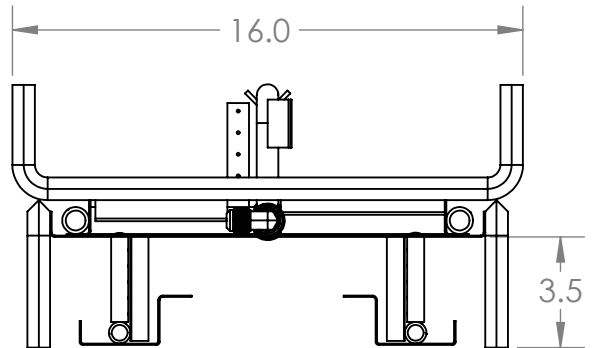
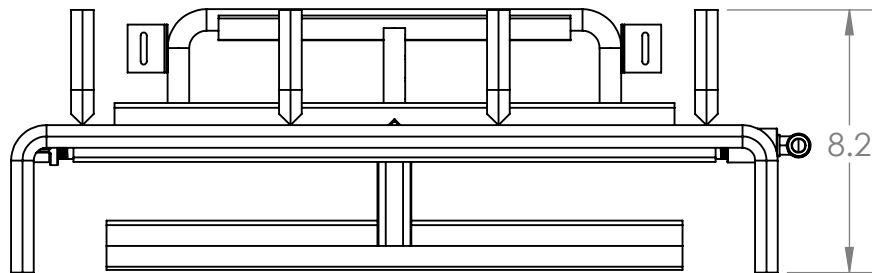
1

| REVISIONS | | | |
|-----------|-------------------------|----------|----------|
| REV. | DESCRIPTION | DATE | APPROVED |
| A | RELEASED FOR PRODUCTION | 8/2/2022 | |

B



B



A

BRANDED: GRAND CANYON GAS LOGS
MODEL #: 3BRN-ST24



UNLESS OTHERWISE SPECIFIED:

DIMENSIONS ARE IN INCHES
TOLERANCES:
BEND +2/-0
ONE PLACE DECIMAL ±.125
TWO PLACE DECIMAL ±.0625

INTERPRET GEOMETRIC
TOLERANCING PER:

MATERIAL

FINISH

SEE NOTE

DO NOT SCALE DRAWING

| NAME | DATE |
|------------|---------|
| DRAWN RG | 8/2/22 |
| CHECKED DF | 8/10/22 |
| ENG APPR. | |
| MFG APPR. | |
| Q.A. | |

PROPRIETARY AND CONFIDENTIAL
THE INFORMATION CONTAINED IN
THIS DRAWING IS THE SOLE PROPERTY
OF RICHARDSON'S PRODUCT
GROUP. ANY REPRODUCTION IN
PART OR AS A WHOLE WITHOUT THE
WRITTEN PERMISSION OF
RICHARDSON'S PRODUCT GROUP IS
PROHIBITED.

RPG BRANDS

TITLE:

3BRN-ST24

| | | |
|----------|----------|-----|
| SIZE | DWG. NO. | REV |
| A | 02-00667 | A |

| | | |
|------------|---------|--------------|
| SCALE: 1:6 | WEIGHT: | SHEET 1 OF 1 |
|------------|---------|--------------|

2

1

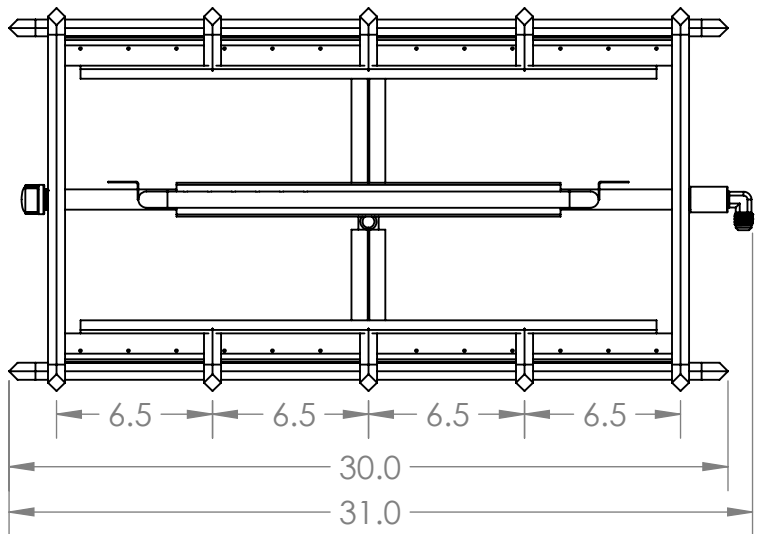
A

2

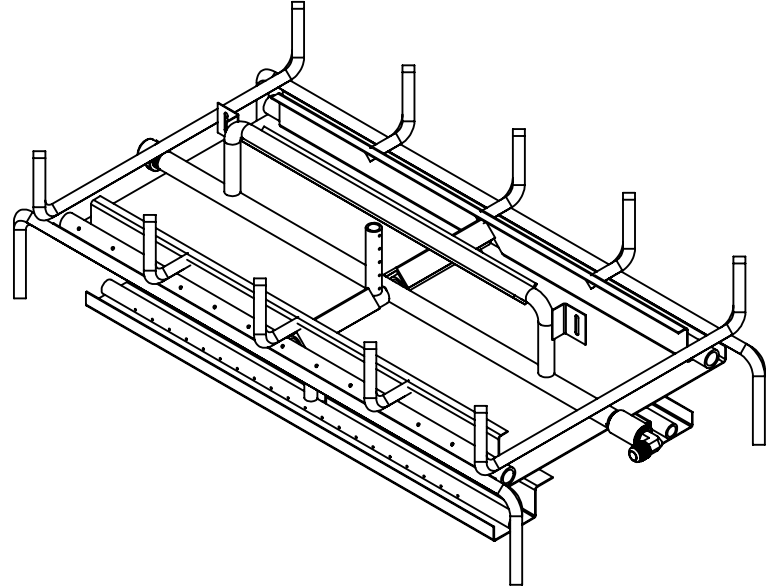
1

| REVISIONS | | | |
|-----------|-------------------------|----------|----------|
| REV. | DESCRIPTION | DATE | APPROVED |
| A | RELEASED FOR PRODUCTION | 8/2/2022 | |

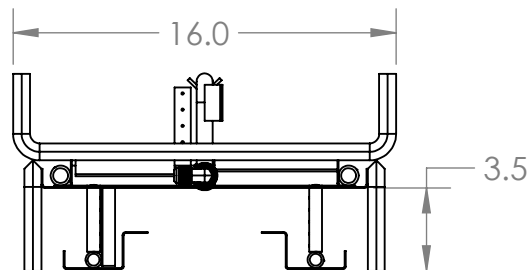
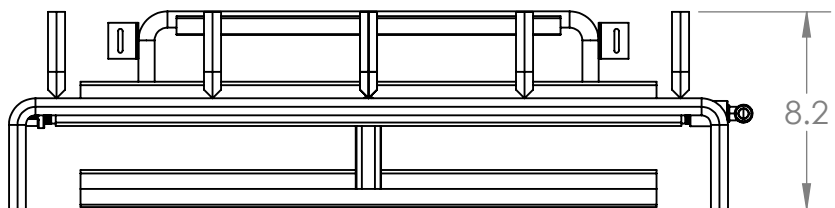
B



B



A



A

BRANDED: GRAND CANYON GAS LOGS
MODEL #: 3BRN-ST30



| | | |
|--------------------------------------|---|------------|
| UNLESS OTHERWISE SPECIFIED: | NAME | DATE |
| DIMENSIONS ARE IN INCHES | DRAWN | RG 8/2/22 |
| TOLERANCES: | CHECKED | DF 8/10/22 |
| BEND +2/-0 | ENG APPR. | |
| ONE PLACE DECIMAL ±.125 | MFG APPR. | |
| TWO PLACE DECIMAL ±.0625 | Q.A. | |
| INTERPRET GEOMETRIC TOLERANCING PER: | PROPRIETARY AND CONFIDENTIAL THE INFORMATION CONTAINED IN THIS DRAWING IS THE SOLE PROPERTY OF RICHARDSON'S PRODUCT GROUP. ANY REPRODUCTION IN PART OR AS A WHOLE WITHOUT THE WRITTEN PERMISSION OF RICHARDSON'S PRODUCT GROUP IS PROHIBITED. | |
| MATERIAL | | |
| FINISH | SEE NOTE | |
| DO NOT SCALE DRAWING | | |

| | | |
|-------------------|----------|--------------|
| RPG BRANDS | | |
| TITLE: | | |
| 3BRN-ST30 | | |
| SIZE | DWG. NO. | REV |
| A | 02-00668 | A |
| SCALE: 1:8 | WEIGHT: | SHEET 1 OF 1 |

2

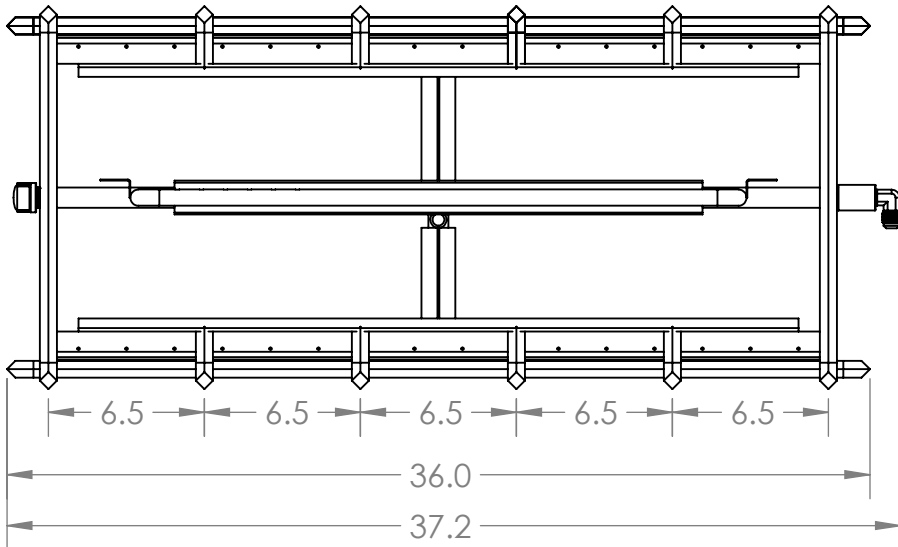
1

2

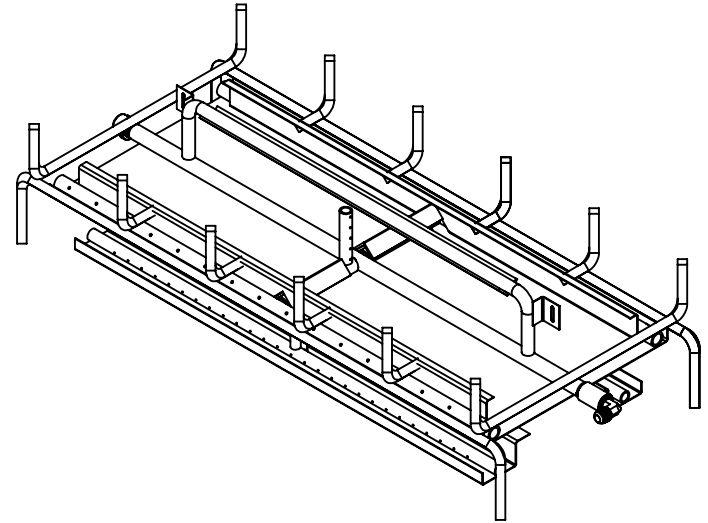
1

| REVISIONS | | | |
|-----------|-------------------------|----------|----------|
| REV. | DESCRIPTION | DATE | APPROVED |
| A | RELEASED FOR PRODUCTION | 8/2/2022 | |

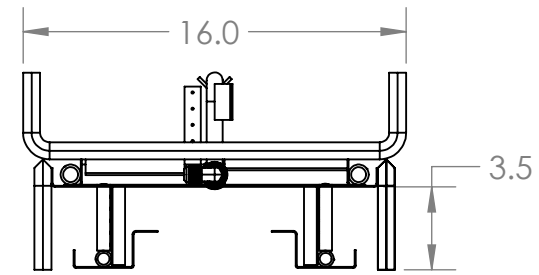
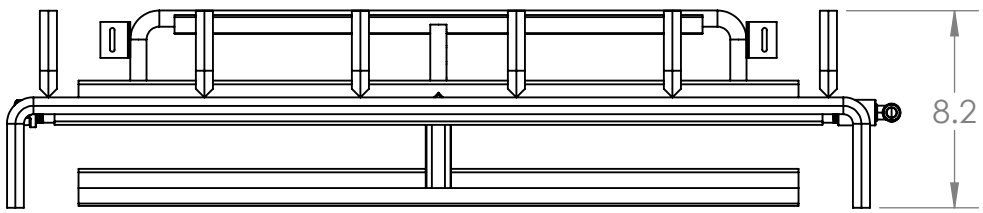
B



B



A



A

BRANDED: GRAND CANYON GAS LOGS
 MODEL #: 3BRN-ST36



UNLESS OTHERWISE SPECIFIED:

DIMENSIONS ARE IN INCHES
 TOLERANCES:
 BEND +2/-0
 ONE PLACE DECIMAL ±.125
 TWO PLACE DECIMAL ±.0625

INTERPRET GEOMETRIC
 TOLERANCING PER:

MATERIAL

FINISH
 SEE NOTE

DO NOT SCALE DRAWING

| | NAME | DATE |
|-----------|------|---------|
| DRAWN | RG | 8/2/22 |
| CHECKED | DF | 8/10/22 |
| ENG APPR. | | |
| MFG APPR. | | |
| Q.A. | | |

PROPRIETARY AND CONFIDENTIAL
 THE INFORMATION CONTAINED IN
 THIS DRAWING IS THE SOLE PROPERTY
 OF RICHARDSON'S PRODUCT
 GROUP. ANY REPRODUCTION IN
 PART OR AS A WHOLE WITHOUT THE
 WRITTEN PERMISSION OF
 RICHARDSON'S PRODUCT GROUP IS
 PROHIBITED.

RPG BRANDS

TITLE:

3BRN-ST36

| | | |
|------------|----------|--------------|
| SIZE | DWG. NO. | REV |
| A | 02-00669 | A |
| SCALE: 1:8 | WEIGHT: | SHEET 1 OF 1 |

2

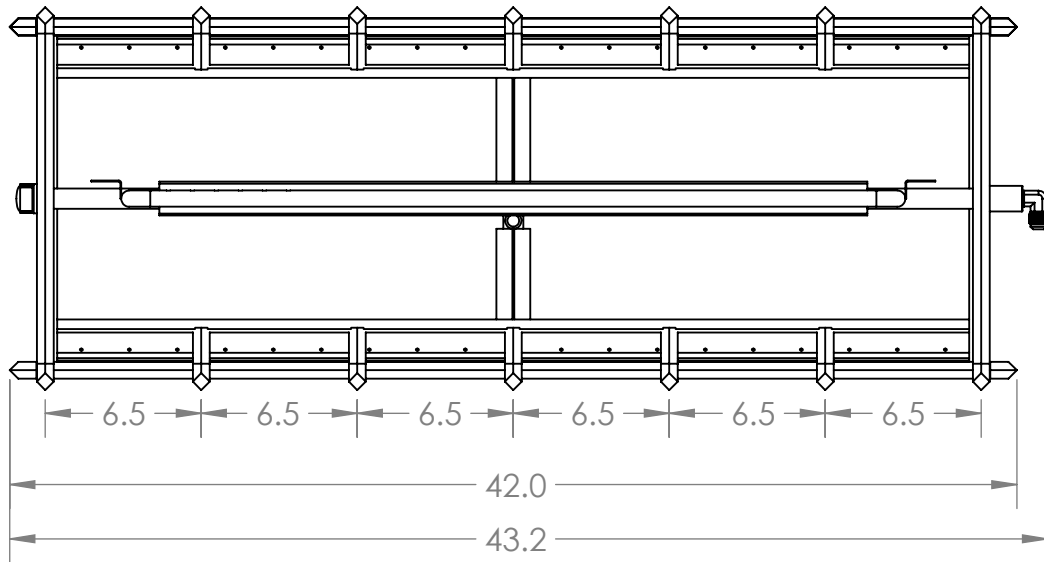
1

2

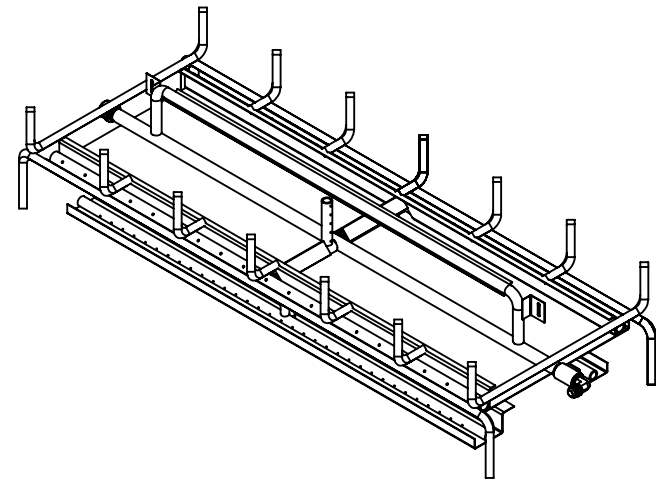
1

| REVISIONS | | | |
|-----------|-------------------------|----------|----------|
| REV. | DESCRIPTION | DATE | APPROVED |
| A | RELEASED FOR PRODUCTION | 8/2/2022 | |

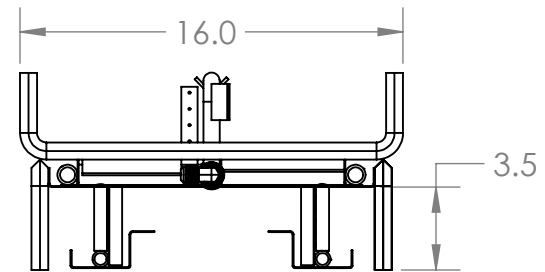
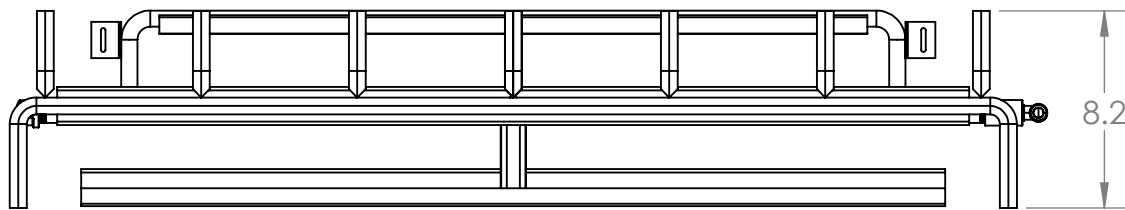
B



B



A



A

BRANDED: GRAND CANYON GAS LOGS
MODEL #: 3BRN-ST42



UNLESS OTHERWISE SPECIFIED:

DIMENSIONS ARE IN INCHES
TOLERANCES:
BEND +2/-0
ONE PLACE DECIMAL ±.125
TWO PLACE DECIMAL ±.0625

INTERPRET GEOMETRIC
TOLERANCING PER:

MATERIAL

FINISH

SEE NOTE

DO NOT SCALE DRAWING

NAME DATE

DRAWN RG 8/2/22

CHECKED DF 8/10/22

ENG APPR.

MFG APPR.

Q.A.

PROPRIETARY AND CONFIDENTIAL
THE INFORMATION CONTAINED IN
THIS DRAWING IS THE SOLE PROPERTY
OF RICHARDSON'S PRODUCT
GROUP. ANY REPRODUCTION IN
PART OR AS A WHOLE WITHOUT THE
WRITTEN PERMISSION OF
RICHARDSON'S PRODUCT GROUP IS
PROHIBITED.

RPG BRANDS

TITLE:

3BRN-ST42

SIZE DWG. NO.

A 02-00670

REV

A

SCALE: 1:8 WEIGHT:

SHEET 1 OF 1

2

1